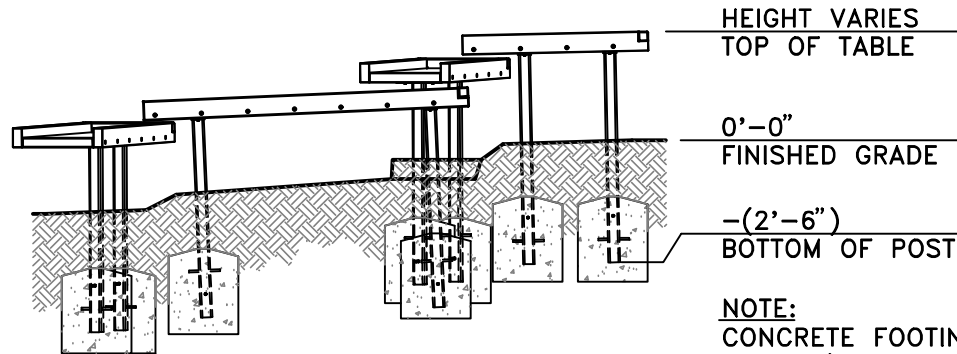


TOP VIEW
SCALE: 1/4" = 1'-0"



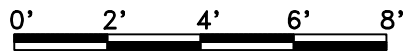
HEIGHT VARIES
TOP OF TABLE

0'-0"
FINISHED GRADE

-(2'-6")
BOTTOM OF POST

NOTE:
CONCRETE FOOTING AND NO. 4 REBAR (BY OTHERS) PER LOCAL SOIL CONDITIONS. CONSULT PROJECT ENGINEER FOR EXACT REQUIREMENTS.

FRONT VIEW
SCALE: 1/4" = 1'-0"



This drawing reveals the copyrighted intellectual property of Columbia Cascade Company. Not for use by others without our express, written authorization.
Authorization for use is hereby granted to architects, landscape architects and similar design professionals solely for the purpose of specifying TimberForm products.

11-04-22 GENERAL REV. AC/JH

Scale	Drawn by: DW	12-25-16
NOTED	Ck'd by: CL	12-25-16

COLUMBIA CASCADE COMPANY
Makers of TimberForm®, PipeLine®, RePlay®, TimberForm®-2 and CycLoops® Products.

www.TimberForm.com
Phone: 503/223-1157 Email: HQ@TimberForm.com

This drawing reveals the copyrighted intellectual property of Columbia Cascade Company. Not for use by others without our express, written authorization.

Title:
CLASSIC TIMBERFORM
MODEL NO. 4500-012
WATER TABLES

Drawing No.
W-4500-012

Sheet
1 of 1